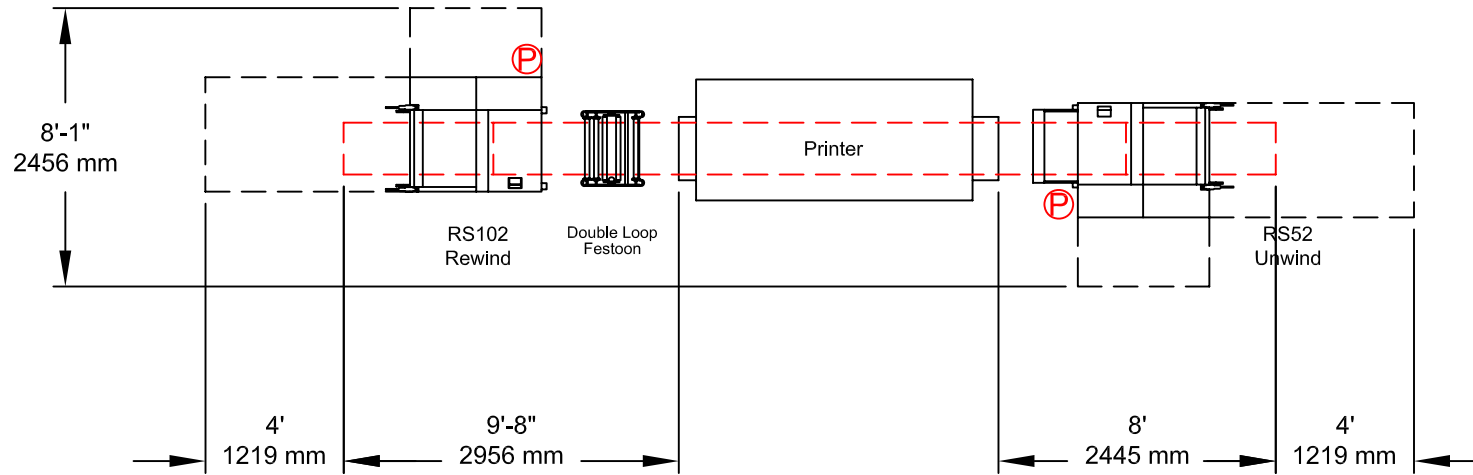


# RS Roll-to-Roll CS



Ⓟ Power Location

--- Service Area

--- Paper Path

This is the footprint for the standard, straight-line configuration of the RS Roll-to-Roll CS. For a footprint of this configuration connected to a specific printer, please contact your Lasermax Roll Systems representative.