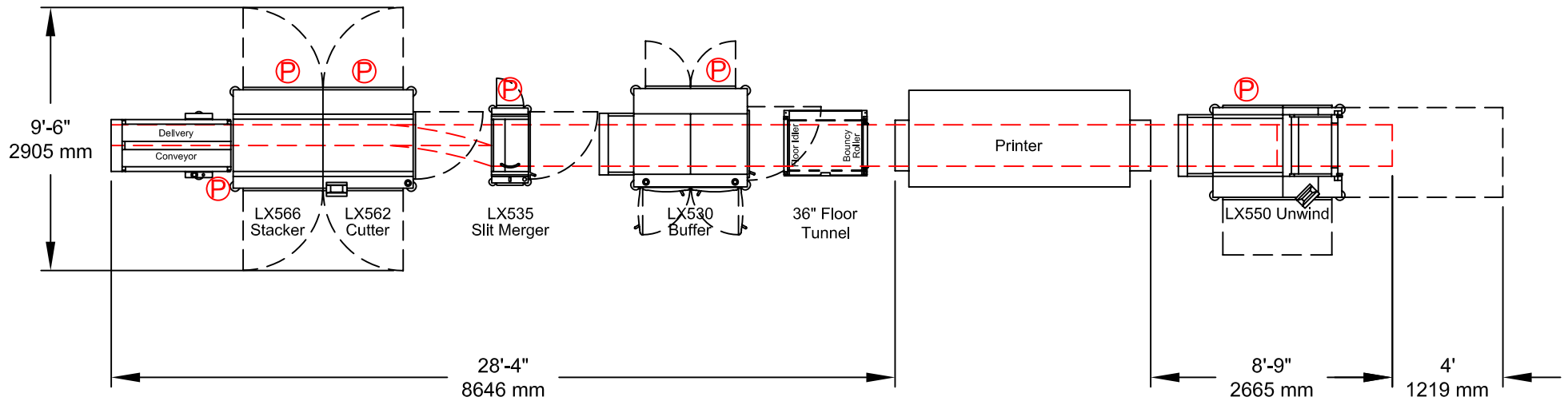


LX Stack with LX530 and LX535



Ⓟ Power Location

--- Service Area

--- Paper Path

This is the footprint for the standard, straight-line configuration of the LX Stack with LX530 Buffer and LX535 Slit Merger. For a footprint of this configuration connected to a specific printer, please contact your Lasermix Roll Systems representative.